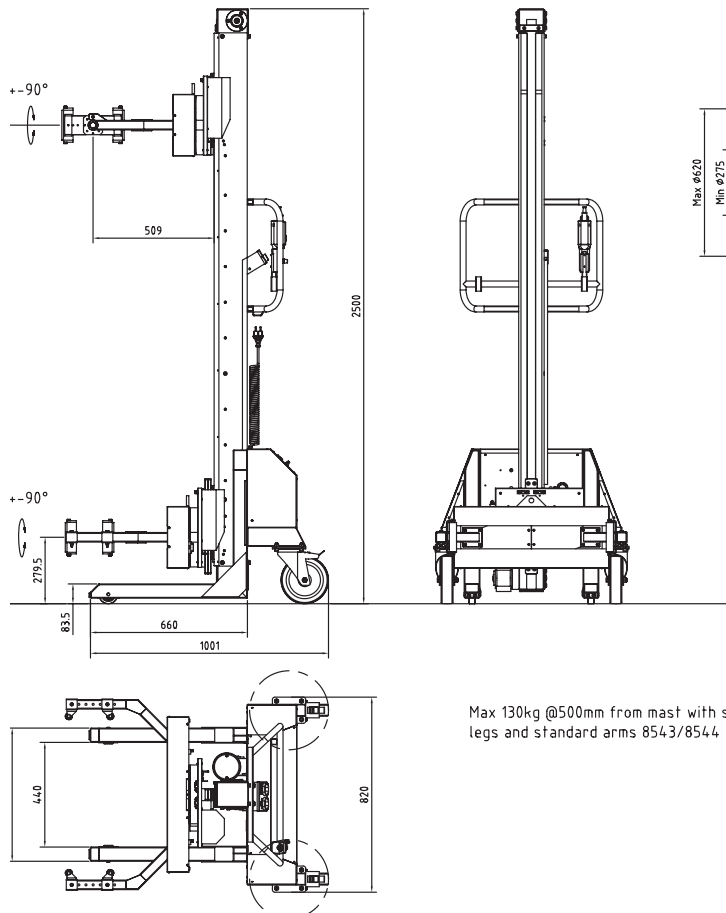


# Protema electric lift PRO200 Lowbuilt EasySqueeze

SPECIFICATIONS:	
Art nr with electric turning $\pm 90^\circ$	8PRO200LESE
Art nr with manual turning $\pm 90^\circ$	8PRO200LESM
Max. capacity	130 kg / 287 lbs
Weight of unit	appr 148 kg
Charging voltage	110/240 V AC
Battery / Battery charger	24 V DC 38 Ah / 80 W
Total height	2500 mm
Stroke	1740 mm
Arms (order separately)	Fixed arms, art nr 8543, for machines with loose spindles Swivelling arms, art nr 8544, for machines with fixed spindles
Wheels	Front wheels, fixed $\varnothing$ 79 mm polyurethane Rear wheels $\varnothing$ 200 mm polyurethane (rear wheels separately braked)

The Protema PRO200LESE and PRO200LESM can be equipped with fixed or swivelling arms and can handle weights up to 130 kg (287 lbs). See technical drawing below for detailed dimensions. PRO200LESE, electric turning  $\pm 90^\circ$ . PRO200LESM, manual turning in 3 positions;  $\pm 90^\circ$  and  $0^\circ$ . The lowbuilt chassis allows the legs to pass under a pallet.



Max 130kg @500mm from mast with standard legs and standard arms 8543/8544.

