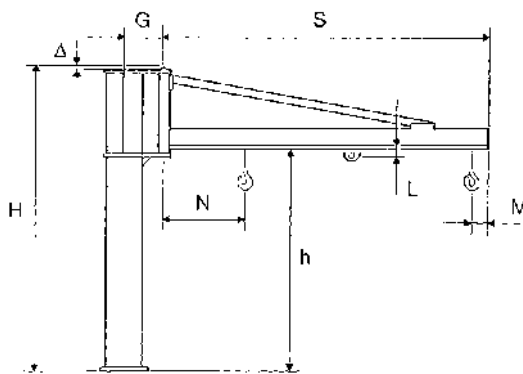


Wall-mounted jib crane – Rotation 270°



Column-mounted jib crane – Rotation 300°

Heights M\* and N\* for wall-mounted jib cranes: See corresponding heights relative to column-mounted jib cranes

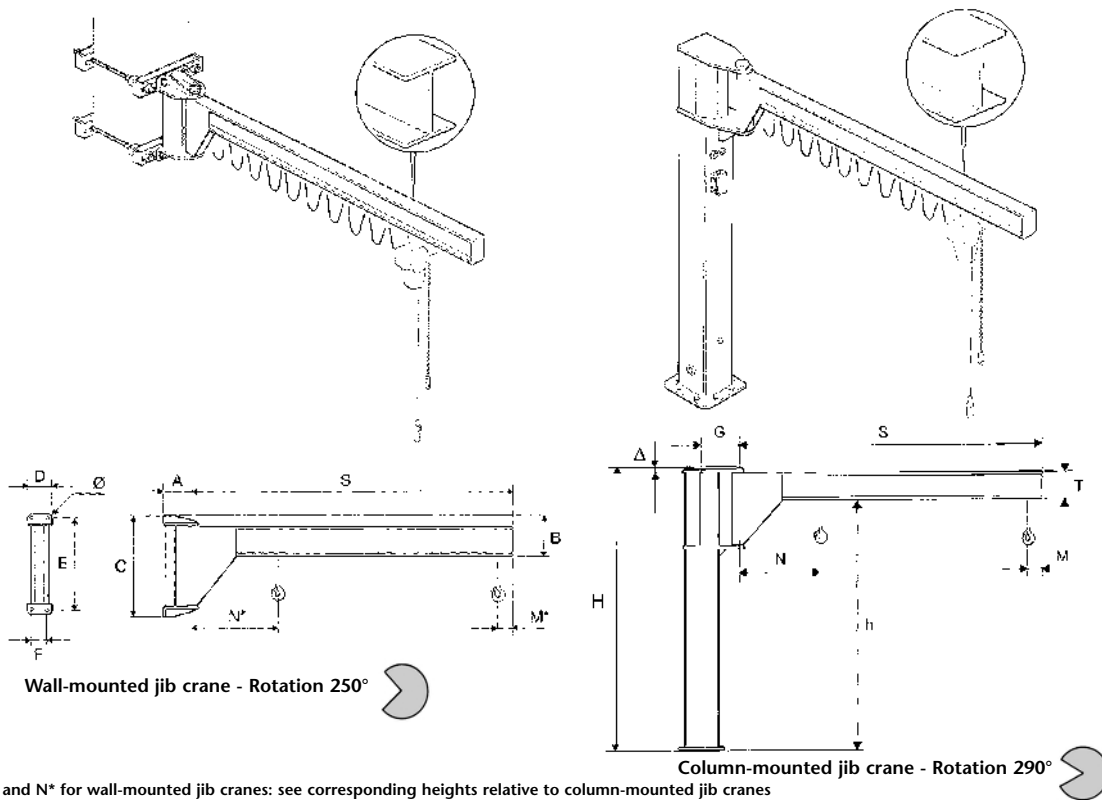
Lifting capacity	Arm S		Size of jib crane	
	Nominal	True Length	Bracket	Column
kg	m	mm		
63	4	4056	A	R
	5	5056	A	R
	6	6056	B	S
125	7	7056	B	S
	2	2056	A	R
	3	3056	A	R
	4	4056	B	S
250	5	5056	B	S
	6	6066	C	T
	7	7066	C	T
	2	2066	B	S
	3	3066	B	S
500	4	4066	C	T
	5	5066	D	U
	6	6076	E	V
	7	7076	E	V
	2	2066	D	U
	3	3066	D	U
	4	4076	E	V
1000	5	5076	E	V
	6	6076	F	Z
	7	7076	F	Z

GBP series wall-mounted jib cranes - C version

Type	Overall dimensions (mm)								weight of crane
	A	B	C	D	E	F	Ø	kg	
LRV4/63	170	552	644	200	594	150	15	74	
LRV5/63	170	552	644	200	594	150	15	87	
LRV6/63	170	552	644	200	594	150	15	100	
LRV7/63	170	552	644	200	594	150	15	113	
LRV2/125	170	552	644	200	594	150	15	48	
LRV3/125	170	552	644	200	594	150	15	61	
LRV4/125	170	552	644	200	594	150	15	74	
LRV5/125	170	552	644	200	594	150	15	87	
LRV6/125	210	820	930	250	870	190	22	135	
LRV7/125	210	820	930	250	870	190	22	150	
LRV2/250	170	552	644	200	594	150	15	48	
LRV3/250	170	552	644	200	594	150	15	61	
LRV4/250	210	820	930	250	870	190	22	105	
LRV5/250	210	820	930	250	870	190	22	120	
LRV6/250	210	820	930	250	870	190	22	202	
LRV7/250	210	820	930	250	870	190	22	228	
LRV2/500	210	820	930	250	870	190	22	75	
LRV3/500	210	820	930	250	870	190	22	90	
LRV4/500	210	820	930	250	870	190	22	113	
LRV5/500	210	820	930	250	870	190	22	129	
LRV6/500	255	1100	1240	300	1160	220	34	270	
LRV7/500	255	1100	1240	300	1160	220	34	300	
LRV2/1000	210	820	930	250	870	190	22	93	
LRV3/1000	210	820	930	250	870	190	22	163	
LRV4/1000	255	1100	1240	300	1160	220	34	212	
LRV5/1000	255	1100	1240	300	1160	220	34	241	
LRV6/1000	255	1100	1240	300	1160	220	34	298	
LRV7/1000	255	1100	1240	300	1160	220	34	331	

GBA series column-mounted jib crane – C version

base	Total Height	Type	Under beam	Overall dimensions (mm)						Weight	
				h	G	L	M	N	Δ	Crane	Column by m
max.	H									kg	kg
3	5	LRP4/63	2496	228	34	140	585	12	127	18.2	
3	5	LRP5/63	2496	228	34	140	645	12	140	18.2	
3	5	LRP6/63	2496	274	34	140	705	12	175	22.8	
3	5	LRP7/63	2496	274	34	140	765	12	188	22.8	
3	5	LRP2/125	2496	228	34	140	525	12	101	18.2	
3	5	LRP3/125	2496	228	34	140	585	12	114	18.2	
3	5	LRP4/125	2496	274	34	140	585	12	149	22.8	
3	5	LRP5/125	2496	274	34	140	645	12	162	22.8	
3.5	5.5	LRP6/125	2738	323	34	140	785	17	260	35	
3.5	5.5	LRP7/125	2738	323	34	140	845	17	275	35	
3	5	LRP2/250	2496	274	34	140	525	12	123	22.8	
3	5	LRP3/250	2496	274	34	140	585	12	136	22.8	
3.5	5.5	LRP4/250	2738	323	34	140	665	17	230	35	
3.5	5.5	LRP5/250	2738	323	34	140	725	17	245	35	
3.5	5.5	LRP6/250	2738	386	43	156	820	17	376	43.5	
3.5	5.5	LRP7/250	2738	386	43	156	880	17	402	43.5	
3.5	5.5	LRP2/500	2738	323	34	265	730	17	200	35	
3.5	5.5	LRP3/500	2738	323	34	265	790	17	215	35	
3.5	5.5	LRP4/500	2738	386	34	265	820	17	287	43.5	
3.5	5.5	LRP5/500	2738	386	34	265	880	17	303	43.5	
4	6	LRP6/500	2980	443	43	156	880	20	567	64	
4	6	LRP7/500	2980	443	43	156	940	20	597	64	
3.5	5.5	LRP2/1000	2738	386	60	306	790	17	267	43.5	
3.5	5.5	LRP3/1000	2738	386	60	306	850	17	337	43.5	
4	6	LRP4/1000	2980	443	60	306	910	20	509	64	
4	6	LRP5/1000	2980	443	60	306	970	20	538	64	
4	6	LRP6/1000	2980	513	60	306	1100	20	680	75.2	
4	6	LRP7/1000	2980	513	60	306	1160	20	713	75.2	



Lifting capacity	kg	Arm		Grandezza gru
		Bracket	Column	
63	4	A	R	2000
	5	A	R	
125	2	A	R	2000
	3	A	R	
	4	B	S	
	5	B	S	
250	2	B	S	2000
	3	B	S	
	4	C	T	
	5	C	T	
	6	D	U	
	6	E	V	
	7	E	V	
500	2	C	T	2000
	3	C	T	
	4	D	U	
	5	D	U	
	6	E	V	
	6	F	Z	
	7	E	V	
1000	2	D	U	2000
	3	D	U	
	4	E	V	
	5	E	V	
	6	F	Z	
	7	F	Z	
	7	F	Z	
1600	6	F	Z	2000
2000	2	E	V	2000
	3	E	V	
	4	F	Z	
	5	F	Z	
	5	F	Z	

GBP series wall-mounted jib cranes – T version									
Type	Overall dimensions (mm)								Weight of crane
	A	B	C	D	E	F	Ø	kg	
IVU4/63	170	248	644	200	594	150	15	95	
IVU5/63	170	248	644	200	594	150	15	111	
IVU2/125	170	248	644	200	594	150	15	63	
IVU3/125	170	248	644	200	594	150	15	79	
IVU4/125	170	288	644	200	594	150	15	125	
IVU5/125	170	288	644	200	594	150	15	147	
IVU2/250	170	288	644	200	594	150	15	81	
IVU3/250	170	288	644	200	594	150	15	103	
IVU4/250	210	346	930	250	870	190	22	195	
IVU5/250	210	346	930	250	870	190	22	226	
IVU6/250	210	406	930	250	870	190	22	340	
IVU6/250	255	500	1240	300	1160	220	34	410	
IVU7/250	255	500	1240	300	1160	220	34	555	
IVU2/500	210	346	930	250	870	190	22	134	
IVU3/500	210	346	930	250	870	190	22	165	
IVU4/500	210	406	930	250	870	190	22	256	
IVU5/500	210	406	930	250	870	190	22	298	
IVU6/500	255	500	1240	300	1160	220	34	482	
IVU7/500	255	540	1240	300	1160	220	34	596	
IVU2/1000	210	406	930	250	870	190	22	172	
IVU3/1000	210	406	930	250	870	190	22	214	
IVU4/1000	255	499	1240	300	1160	220	34	381	
IVU5/1000	255	499	1240	300	1160	220	34	438	
IVU6/1000	255	540	1240	300	1160	220	34	530	
IVU7/1000	255	499	1240	300	1160	220	34	688	
IVU6/1600	255	590	1240	300	1160	220	34	610	
IVU2/2000	255	499	1240	300	1160	220	34	267	
IVU3/2000	255	499	1240	300	1160	220	34	324	
IVU4/2000	255	540	1240	300	1160	220	34	400	
IVU5/2000	255	590	1240	300	1160	220	34	535	

GBA series column-mounted jib cranes – T version											
Total Height	Type	Under beam	Overall dimensions					Weight			
			h	G	M	N	T (IPE)	Δ	Crane	Column by m	
base max.											
3	5	IPU4/63	2800	228	190	655	160	12	148	18.2	
3	5	IPU5/63	2800	228	190	715	160	12	164	18.2	
3	5	IPU2/125	2800	228	190	595	160	12	116	18.2	
3	5	IPU3/125	2800	228	190	655	160	12	132	18.2	
3	5	IPU4/125	2760	274	190	725	200	12	200	22.8	
3	5	IPU5/125	2760	274	190	785	200	12	222	22.8	
3	5	IPU2/250	2760	274	190	665	200	12	156	22.8	
3	5	IPU3/250	2760	274	190	725	200	12	178	22.8	
3.5	5.5	IPU4/250	3212	323	190	800	240	17	320	35	
3.5	5.5	IPU5/250	3212	323	190	860	240	17	351	35	
						190	1000	300			
4	6	IPU6/250	3640	443	190	1065	300	20	705	64	
4	6	IPU7/250	3580	443	190	1135	360	20	852	64	
3.5	5.5	IPU2/500	3212	323	190	740	240	17	260	35	
3.5	5.5	IPU3/500	3212	323	190	800	240	17	290	35	
3.5	5.5	IPU4/500	3152	386	190	880	300	17	430	43.5	
3.5	5.5	IPU5/500	3152	386	190	940	300	17	472	43.5	
4	5	IPU6/500	3580	443	190	1140	360	20	779	64	
4	6	IPU6/500	3580	513	190	1140	360	20	864	75.2	
4	4	IPU7/500	3540	443	190	1270	400	20	893	64	
4	6	IPU7/500	3540	513	190	940	1270	400	978	75.2	
3.5	5.5	IPU2/1000	3152	386	190	820	300	17	346	43.5	
3.5	5.5	IPU3/1000	3152	386	190	880	300	17	388	43.5	
4	6	IPU4/1000	3580	443	190	945	360	20	678	64	
4	6	IPU5/1000	3580	443	190	1005	360	20	735	64	
4	4	IPU6/1000	3540	513	190	1190	400	20	912	75.2	
						190	1270	450			
4	6	IPU2/2000	3580	443	210	900	360	20	564	64	
4	6	IPU3/2000	3580	443	210	960	360	20	621	64	
4	6	IPU4/2000	3540	513	210	1070	400	20	780	75.2	
						210	1220	450			