

## TAWIGrip vacuum grippers for sheet/panel up to 500 kg

### TAWIGRIP DOOR LIFTER

These doors weigh 80 kg. Before the investment in a TAWIGrip vacuum gripper, the doors were lifted manually.

The TAWIGrip is a 4-foot yoke, max capacity 80 kg, with two crossbars on a main yoke. Vacuum source is pneumatic.

The door is gripped and picked up from a vertical position and tilted 90 degrees into a horizontal position.

It is rotated 90 degrees in the horizontal plane and then tilted to be placed in a vertical position in the rack.

Even though the working area is small and ceiling height low, it is possible to install this lifting aid. The TAWIGrip is suspended in a Lyftman SPECIAL PROJECT under-braced jib arm UVM, in LR170 steel profile, max 150 kg.

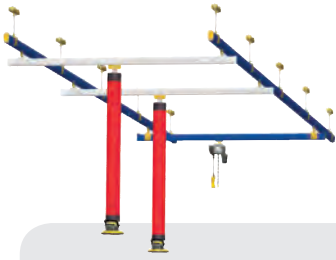


- TAWIGrip vacuum gripper can lift, tilt and rotate sheet metal, glass and laminated panels.
- Choose between: TAWIGrip with Pneumatic Vacuum Source or Electric Vacuum Source.
- Horizontal: Up to 500 kg or more on request. Vertical: Up to 250 kg.
- Choose between: Horizontal-Horizontal, Horizontal-Vertical, Vertical-Vertical
- Safe, two-handed release function
- Visual control of the vacuum level
- Easy-to-use control board
- Twin chamber vacuum system
- Light weight design



# TAWI

# Lyftman over head crane systems and jib cranes



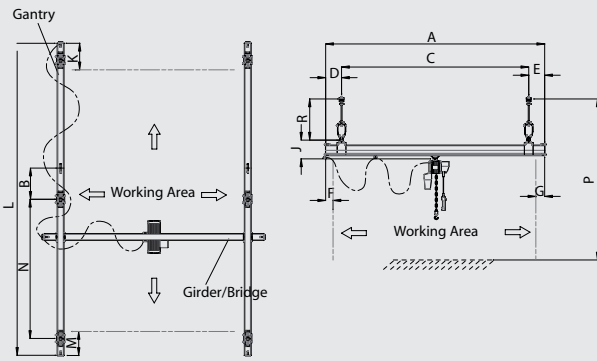
For productions lines with several working stations. A separate girder is installed for each station. There is no limit to the length of this gantry, 50-60 metres is common.



Basic overhead x-y crane system. Competitive pricing, fast deliveries, high quality and easy installation is the secret behind this popular solution.

## Lyftman single girder crane systems max 1500 kg

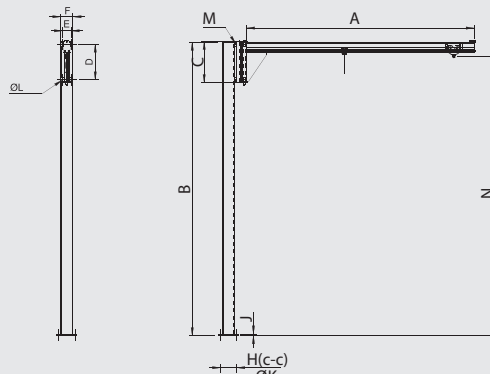
Profile type		40 kg	60 kg	80 kg	125 kg	250 kg	500 kg	1000 kg	1500 kg
LR86	N max	3750	3200	2900					
	M	80	80	80					
	K	L/1,5*70+G	L/1,5*70+G	L/1,5*70+G					
	A max	4000	3400	3000					
	R	150-778	150-778	150-778					
	J	150	150	150					
	G	80	80	80					
	F	L/1,5*70+G	L/1,5*70+G	L/1,5*70+G					
LR113	N max	6000	5200	4700	3900				
	M	110	110	110	110				
	K	L/1,5*70+G	L/1,5*70+G	L/1,5*70+G	L/1,5*70+G				
	A max	6000	6000	5300	4400				
	R	200-828	200-828	200-828	200-828				
	J	190	190	190	190				
	G	110	110	110	110				
	F	L/1,5*70+G	L/1,5*70+G	L/1,5*70+G	L/1,5*70+G				
LR120	N max	8000	8000	7000	6100	4700	2300		
	M	105	105	105	105	105	220		
	K	L/1,5*70+G	L/1,5*70+G	L/1,5*70+G	L/1,5*70+G	L/1,5*70+G	L/1,5*70+G		
	A max	8000	8000	8000	7100	5300	3700		
	R	285-883	285-883	285-883	285-883	285-883	285-883		
	J	250	250	250	250	250	250		
	G	105	105	105	105	105	220		
	F	L/1,5*70+G	L/1,5*70+G	L/1,5*70+G	L/1,5*70+G	L/1,5*70+G	L/1,5*70+G		
LR170	N max	-	-	8000	8000	8000	6300	3300	2300
	M	-	-	110	110	110	110	230	230
	K	-	-	L/1,5*70+G	L/1,5*70+G	L/1,5*70+G	L/1,5*70+G	L/1,5*70+G	L/1,5*70+G
	A max	-	-	8000	8000	8000	7100	3900	2700
	R	-	-	285-883	285-883	285-883	285-883	285-883	285-883
	J	-	-	250	250	250	250	250	250
	G	-	-	110	110	110	110	230	230
	F	-	-	L/1,5*70+G	L/1,5*70+G	L/1,5*70+G	L/1,5*70+G	L/1,5*70+G	L/1,5*70+G
B	-	-	150-3950	150-3950	150-2500	150-900	150-400	150-250	



## Lyftman UVM jib arm in steel profile LR120 max 80 kg, LR170 max 150 kg



\*The jib arm delivery includes arm and bracket, 1 pce trolley for lifting equipment, 3 pcs trolley for cable/air tube with leather strap, end stop, load signs and 4 pcs bolt M16.



Jib arm* UVM (mm)									
Type	Load (kg)	A	C	D	E	F	L	N	Arm profile
UVM2/80	80	2000							LR120
UVM3/80	80	3000	521	416	150	200	Ø18	B-185	LR120
UVM4/60	60	4000							LR170
UVM4/150	150	ON REQUEST							LR170
Column for jib arm UVM (mm)									
Type	For jib arm:	B	G	H	J	K	M		
LPM15361U	UVM2/80								
	UVM3/80	CUSTOMIZED	300	250	20	Ø24	M16		
	UVM4/60								
UPM4/150	UVM4/150	ON REQUEST							

# TAWI