

VacuCobra VC50 lifting containers 3128

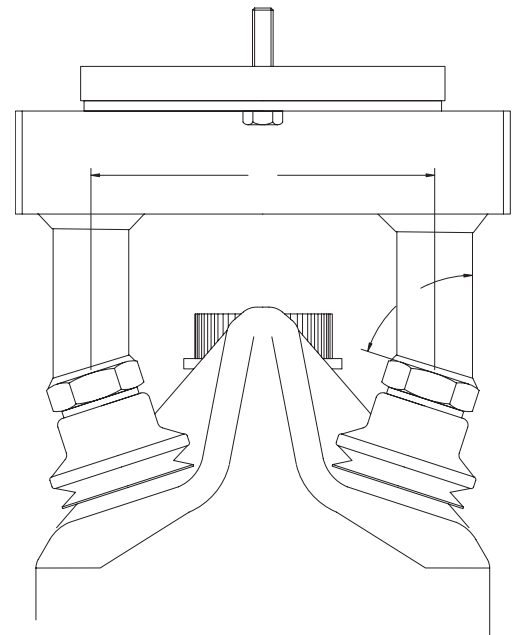
Project nr: 3128 & 2129
Client: Food industry
Project supervisor: TAWI UK, England
Project engineer: Mikael Kayser TAWI AB

VacuCobra model VC50 is normally used to lift objects that offer a limited gripping surface for the suction foot. By decreasing the diameter of the lift tube (to 50 mm) we can decrease the lifting area of the suction foot. VC50 can lift **non-porous** loads up to 10 kg with a suction foot measuring only 40 x 110 mm! This makes it suitable for applications with high-frequency lifting such as end-of-line packaging areas in food industry and in the electronics/hardware production.

These plastic containers are lifted into boxes from the packaging line using the VC50. A quick coupling system allows for a quick change of suction foot to suit the two types of containers.



The VacuCobra VC50 with 1 suction foot.



TAWI
VacuCobra

Box 10205 434 23 KUNGSBACKA Sweden
Tel +46 300 185 00
info@tawi.se

www.TAWI.com